

R 434

R 484

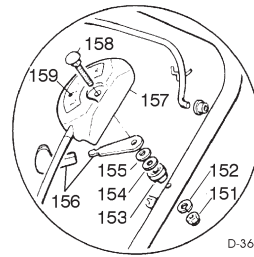
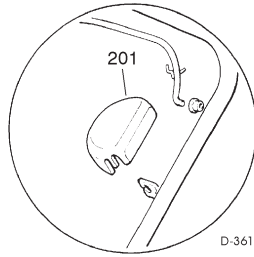
R 534

CHASSIS
MANICO
COMANDI
DOTAZIONE VITERIE

DECK
HANDLE
CONTROLS
SCREWS OUTFITS

CHÂSSIS
MANCHERON
COMMANDES
DOTATION VISSERIE

GEHÄUSE
HOLM
BETÄTIGUNGEN
SCRAUBENSATZ



SPARE PARTS CATALOGUE

ERSATZTEILKATALOG

GB

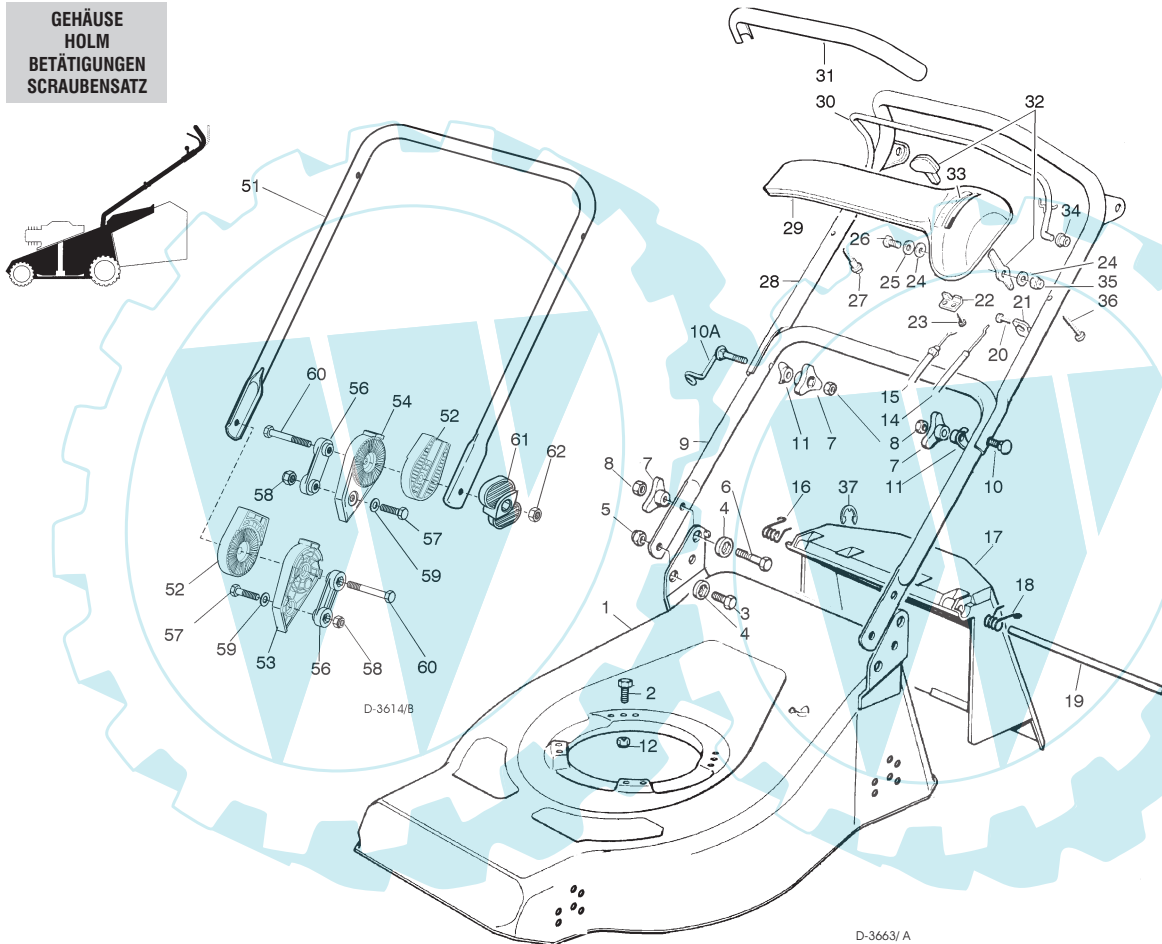
D

CATALOGO DELLE PARTI
DI RICAMBIO

CATALOGUE DES PIÈCES
DE RECHANGE

I

F



T-3663/ A

Pos. Nr.	Codice Code Kodex	Q.tà Q.ty-Q.tè Menge	Descrizione	Description	Description	Beschreibung
1		1	CHASSIS	DECK	CHÂSSIS	GEHÄUSE
—	81000950/ 1	1	ROSSO R 434	RED R 434	OUGE R 434	ROTES R 434
—	81000988/ 1	1	GIALLO R 434	YELLOW R 434	JAUNE R 434	GELBES R 434
—	81001542/ 1	1	VERDE R 434	GREEN R 434	VERT R 434	GRÜNES R 434
—	81000952/ 0	1	ROSSO R 484	RED R 484	OUGE R 484	ROTES R 484
—	81000991/ 0	1	GIALLO R 484	YELLOW R 484	JAUNE R 484	GELBES R 484
—	81001543/ 0	1	VERDE R 484	GREEN R 484	VERT R 484	GRÜNES R 484
—	81001717/ 1	1	ROSSO R 534	RED R 534	ROUGE R 534	ROTES R 534
—	81001718/ 1	1	GIALLO R 534	YELLOW R 534	JAUNE R 534	GELBES R 534
—	81001719/ 1	1	VERDE R 534	GREEN R 534	VERT R 534	GRÜNES R 534
2			VITE	SCREW	VIS	SCHRAUBE
—	12793700/ 0	3/ 2	(M8x30)	(M8x30)	(M8x30)	(M8x30)
—	12691800/ 0	0/ 1	(M8x60)	(M8x60)	(M8x60)	(M8x60)
3	12792610/ 0	2	VITE	SCREW	VIS	SCHRAUBE
4	22041955/ 0	4	BUSSOLA	BUSH	DOUILLE	BUCHSE
5	12155000/ 0	2	DADO	NUT	ECROU	MUTTER

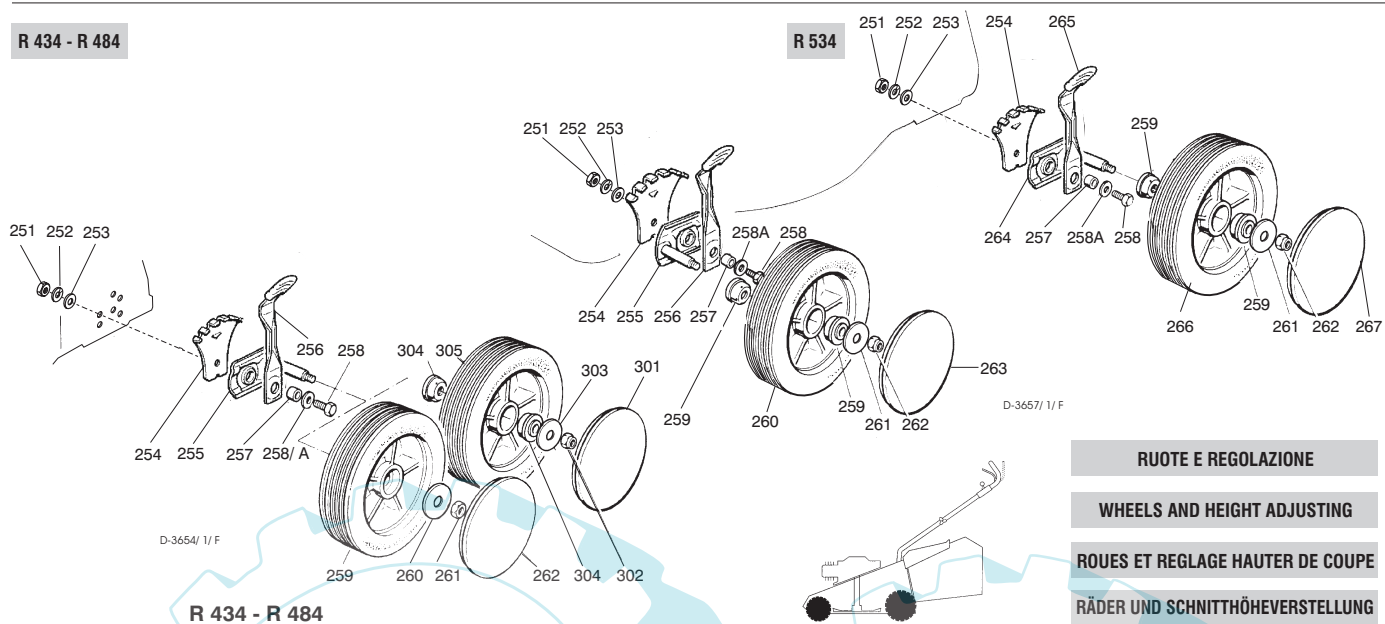
Pos. Nr.	Codice Code Kodex	Q.tà Q.ty-Q.tè Menge	Descrizione	Description	Description	Beschreibung	
6	12793700/0	2	VITE	SCREW	VIS	SCHRAUBE	
7	22399900/0	4	MANOPOLINA	KNOB	POIGNÉE	GRIFF	
8	12293200/0	4	DADO	NUT	ECROU	MUTTER	
9	81006512/0	1	PARTE INF. MANICO	LOWER HANDLE	PARTIE INF. MANCHERON	UNTERHOLM	
10	12819201/0	1	VITE	SCREW	VIS	SCHRAUBE	
10A	81003801/0	1	MOLLA GUIDA	SPRING	RESSORT	FEDER	
11	22680006/1	2	RONDELLA	WASHER	RONDELLE	SCHLEIBE	
12	12293201/0	3/2	DADO	NUT	ECROU	MUTTER	
—	12155000/0	0/1	DADO	NUT	ECROU	MUTTER	
14	81007160/0	1	CAVO ACCELERATORE	THROTTLE CABLE	CABLE ACCELERATEUR	BESCHLEUNIGER KABEL	
15	—	—	CAVO FRENO MOTORE	THREAD MOTOR BRAKE	CABLE FREIN MOTEUR	MOTORBREMSEKABEL	
—	81000633/0	1	R 434 (QUANTUM XM)	R 434 (QUANTUM XM)	R 434 (QUANTUM XM)	R 434 (QUANTUM XM)	
—	81000629/1	1	R434-484 (TECUMSEH)	R 434-484 (TECUMSEH)	R 434-484 (TECUMSEH)	R 434-484 (TECUMSEH)	
—	81000631/0	1	R484 (QUANTUM XM-ES 40)	R 484 (QUANTUM XM-ES 40)	R 484 (QUANTUM XM-ES 40)	R 484 (QUANTUM XM-ES 40)	
—	81000625/0	1	R 484 (SPRINT 375/ QUATTRO)	R 484 (SPRINT 375/ QUATTRO)	R 484 (SPRINT 375/ QUATTRO)	R 484 (SPRINT 375/ QUATTRO)	
—	81000641/0	1	R 484 (HONDA GCV 135/ 160)	R 484 (HONDA GCV 135/ 160)	R 484 (HONDA GCV 135/ 160)	R 484 (HONDA GCV 135/ 160)	
—	81000642/0	1	R 534 (QUANTUM XM-ES 40)	R 534 (QUANTUM XM-ES 40)	R 534 (QUANTUM XM-ES 40)	R 534 (QUANTUM XM-ES 40)	
—	81000643/0	1	R 534 (SPRINT 375/ QUATTRO)	R 534 (SPRINT 375/ QUATTRO)	R 534 (SPRINT 375/ QUATTRO)	R 534 (SPRINT 375/ QUATTRO)	
—	81000644/0	1	R 534 (TECUMSEH)	R 534 (TECUMSEH)	R 534 (TECUMSEH)	R 534 (TECUMSEH)	
—	81000640/0	1	R 534 (HONDA GCV 135/ 160)	R 534 (HONDA GCV 135/ 160)	R 534 (HONDA GCV 135/ 160)	R 534 (HONDA GCV 135/ 160)	
16	22450410/1	1	MOLLA DX	RIGHT SPRING	RESSORT DROITE	RECHTE FEDER	
17	22600028/4	1	PARASASSI	STONE-GUARD	PARE-PIERRES	PRALLBLECH	
18	22450420/1	1	MOLLA SX	LEFT SPRING	RESSORT GAUCHE	LINKE FEDER	
19	22517906/1	1	PERNO	PIN	PIVOT	BOLZEN	
20	12728518/0	1	VITE	SCREW	VIS	SCHRAUBE	
21	22806612/0	1	SUPPORTO	SUPPORT	SUPPORT	HALTER	
22	22981467/0	1	PIASTRINA	PLAQUE	PLAQUETTE	PLATTE	
23	12735105/0	2	VITE	SCREW	VIS	SCHRAUBE	
24	12523040/0	2	RONDELLA	WASHER	RONDELLE	SCHLEIBE	
25	12530060/0	1	RONDELLA ELASTICA	SPRING WASHER	RONDELLE ELASTIQUE	ELASTISCHE SCHEIBE	
26	12791500/0	1	VITE	SCREW	VIS	SCHRAUBE	
27	22943006/0	1	VITE	SCREW	VIS	SCHRAUBE	
28	81007018/0	1	PARTE SUP. MANICO	UPPER HANDLE	PARTIE SUP. MANCHERON	OBERHOLM	
29	—	—	CRUSCOTTO	DASH BOARD	CONSOLE	KONSOLE	
—	22120154/0	1	ROSSO	RED	ROUGE	ROTE	
—	22120152/0	1	GIALLO	YELLOW	JAUNE	GELBE	
—	22120158/0	1	NERO	BLACK	NOIRE	SCHWARZE	
30	81003291/2	1	LEVA FRENO MOTORE	BRAKE LEVER	LEVIER FREIN MOTEUR	MOTORBREMSEHEBEL	
31	—	—	IMPUGNATURA MANICO	HANDGRIP	POIGNÉE	HANDGRIFF	
—	22291050/0	1	NERA	BLACK	NOIRE	SCHWARZER	
—	22291051/0	1	ROSSA	RED	ROUGE	RÖTER	
—	22291052/0	1	GIALLA	YELLOW	JAUNE	GELBER	
32	81007280/2	1	ASS. LEVA + MANOPOLINA	LEVER + KNOB ASS. Y	ENS. LEVIER + POIGNÉE	HEBEL + GRIFF SATZ	
33	—	—	ETICHETTA	LABEL	ETIQUETTE	ETIKETTE	
—	14356743/0	1	(TECUMSEH-HONDA)	(TECUMSEH-HONDA)	(TECUMSEH-HONDA)	(TECUMSEH-HONDA)	
—	14356744/0	1	(B&S)	(B&S)	(B&S)	(B&S)	
34	22041966/0	2	BOCCOLA	BUSH	DOUILLE	BUCHSE	
35	12154510/0	1	DADO	NUT	ECROU	MUTTER	
36	12728460/0	1	VITE	SCREW	VIS	SCHRAUBE	
37	12000930/0	1	ANELLO ELASTICO	SNAP RING	ANNEAU RESSORT	SPRENGRING	
—	81008614/1	1	DOTAZIONE VITERIA	SCREWS OUTFIT	DOTATION VISSERIE	SCHRAUBEN SATZ	
—	81008609/0	1	DOTAZIONE CRUSCOTTO	DASH-BOARD OUTFIT	DOTATION CONSOLE	KONSOLE SATZ	
VARIANTE REGOLAZIONE MANICO HANDLE ADJUSTMENT VARIANT VARIANTE REGLAGE POIGNEE GRIFFEINSTELLVARIANTE							
T-3615/ B	51	81006510/0	1	PARTE INF. MANICO	LOWER HANDLE	PARTIE INF. MANCHERON	UNTERHOLM
52	22785081/0	2	SUPPORTO ESTERNO	EXTERNAL SUPPORT	SUPPORT EXTERNE	AUßERE HALTERUNG	
53	22785082/0	1	SUPPORTO INTERNO DX	R. INTERNAL SUPPORT	SUPPORT INTERNE DROIT	INNERE HALTERUNG RECHTS	
54	22785083/1	1	SUPPORTO INTERNO SX	L. INTERNAL SUPPORT	SUPPORT INTERNE GAUCHE	INNERE HALTERUNG LINKS	
56	22551575/0	2	PIASTRINA INTERNA	INSIDE PLAQUE	PLAQUETTE INTERNE	INNERE PLATTE	
57	12793701/0	2	VITE	SCREW	VIS	SCHRAUBE	
58	12155000/0	2	DADO	NUT	ECROU	MUTTER	
59	12521350/0	2	RONDELLA	WASHER	RONDELLE	SCHLEIBE	
60	12691810/0	2	VITE	SCREW	VIS	SCHRAUBE	
61	22399803/0	2	MANOPOLINA	KNOB	POIGNÉE	GRIFF	
62	12293202/0	2	DADO	NUT	ECROU	MUTTER	
—	81008623/0	1	DOTAZ. VITERIA	SCREWS OUTFIT	DOTATION VISSERIE	SCHRAUBEN SATZ	
VARIANTE ACCELERATORE THROTTLE VARIANTS VARIANTES COMMANDE D'ACCELERATION ÄNDERUNGEN AUF GASHEBEL							
T-3615/ C	151	12291000/0	1	DADO	NUT	ECROU	MUTTER
152	12581500/0	1	GROWER	GROWER	GROWER	FEDERING	
153	22171005/0	1	DISTANZIALE	SPACER	ENTRETOISE	DISTANZRING	
154	12521360/0	1	RONDELLA	WASHER	RONDELLE	SCHLEIBE	
155	12508100/0	1	RONDELLA ELASTICA	SPRING WASHER	RONDELLE ELASTIQUE	ELASTISCHE SCHEIBE	
156	81007279/0	1	ASS. LEVA+MANOPOLINA	LEVER+KNOB ASS.Y	ENS. LEVIER+POIGNEE	HEBEL+GRIFF SATZ	
157	81007080/0	1	ASSIEME ACCELERATORE	TROTTLER UNIT ASS.Y	ENS. ACCELERATEUR	BESCHLEUNIGER SATZ	
158	12815000/0	1	VITE	SCREW	VIS	SCHRAUBE	
159	—	—	ETICHETTA	LABEL	ETIQUETTE	ETIKETTE	
—	14356702/0	1	(TECUMSEH-HONDA)	(TECUMSEH-HONDA)	(TECUMSEH-HONDA)	(TECUMSEH-HONDA)	
—	14356703/0	1	(B&S)	(B&S)	(B&S)	(B&S)	

T-3615/ D

Pos. Nr.	Codice Code Kodex	Q.tà Q.ty-Q.tè Menge	Descrizione	Description	Description	Beschreibung
			VARIANTE REGIME FISSO	FIXED SPEED VARIANTS	VARIANTES POUR MODÈLE À REGIME FIXE	ÄNDERUNGEN FÜR MODELLE MIT FIXIRTER DREHZAHL
201	22601000/ 0		PROTEZIONE	PROTECTION	PROTECTION	SCHUTZ

R 434 - R 484

R 534



RUOTE E REGOLAZIONE

WHEELS AND HEIGHT ADJUSTING

ROUES ET REGLAGE HAUTER DE COUPE

RÄDER UND SCHNITTHÖHEVERSTELLUNG

T-3614/ 1/ F

R 434 - R 484						
251	12293200/ 0	4	DADO	NUT	ECROU	MUTTER
252	12583500/ 0	4	GROWER	GROWER	GROWER	FEDERRING
253	12523070/ 0	4	RONDELLA	WASHER	RONDELLE	SCHEIBE
254	22735547/ 0	4	SETTORE REGOLAZIONE	ADJUSTMENT SECTOR	SECTEUR REGLAGE	VERSTELLUNGSEKTOR
255	81005082/ 0	4	SUPPORTO RUOTA	WHEEL SUPPORT	SUPPORT ROUE	RADHALTER
256	81003285/ 1	4	LEVA REGOLAZIONE	ADJUSTMENT LEVER	LEVIER REGLAGE	VERSTELLUNGHEBEL
257	22171001/ 0	4	DISTANZIALE	SPACER	ENTRETOISE	DISTANZRING
258	12793701/ 0	4	VITE	SCREW	VIS	SCHRAUBE
258A	12521350/ 0	4	RONDELLA	WASHER	RONDELLE	SCHEIBE
259	81007325/ 0	4	RUOTA Ø 170	WHEEL Ø 170	ROUE Ø 170	RAD Ø 170
260	12523060/ 0	4	RONDELLA	WASHER	RONDELLE	SCHEIBE
261	12293201/ 0	4	DADO	NUT	ECROU	MUTTER
262	22110262/ 0	4	COPRIMOZZO	HUB CAP	COUVRE-MOYEU	RADKAPPE
—	22110262/ 0	4	BIANCO	WHITE	BLANC	WEIßE
—	22110263/ 0	4	GIALLO	YELLOW	JAUNE	GELBE
—	22110264/ 0	4	ROSSO	RED	ROUGE	RÖTE

T-3657/ 1/ F

R 534						
251	12293200/ 0	4	DADO	NUT	ECROU	MUTTER
252	12583500/ 0	4	GROWER	GROWER	GROWER	FEDERRING
253	12523070/ 0	4	RONDELLA	WASHER	RONDELLE	SCHEIBE
254	22735547/ 0	4	SETTORE REGOLAZIONE	ADJUSTMENT SECTOR	SECTEUR REGLAGE	VERSTELLUNGSEKTOR
255	81005082/ 0	2	SUPPORTO RUOTA	WHEEL SUPPORT	SUPPORT ROUE	RADHALTER
256	81003285/ 1	2	LEVA REGOLAZIONE	ADJUSTMENT LEVER	LEVIER REGLAGE	VERSTELLUNGHEBEL
258A	12521350/ 0	4	RONDELLA	WASHER	RONDELLE	SCHEIBE
257	22171001/ 0	4	DISTANZIALE	SPACER	ENTRETOISE	DISTANZRING
258	12793701/ 0	4	VITE	SCREW	VIS	SCHRAUBE
259	22034508/ 0	8	BOCCOLA	BUSH	DOUILLE	BUCHSE
260	81007326/ 0	2	RUOTA Ø 170	WHEEL Ø 170	ROUE Ø 170	RAD Ø 170
261	12523060/ 0	4	RONDELLA	WASHER	RONDELLE	SCHEIBE
262	12155000/ 0	4	DADO	NUT	ECROU	MUTTER
263	22110262/ 0	2	COPRIMOZZO	HUB CAP	COUVRE-MOYEU	RADKAPPE
—	22110262/ 0	2	BIANCO	WHITE	BLANC	WEIßE
—	22110263/ 0	2	GIALLO	YELLOW	JAUNE	GELBE
—	22110264/ 0	2	ROSSO	RED	ROUGE	RÖTE
264	81005084/ 0	2	SUPPORTO RUOTA	WHEEL SUPPORT	SUPPORT ROUE	RADHALTER
265	81003286/ 0	2	LEVA REGOLAZIONE	ADJUSTMENT LEVER	LEVIER REGLAGE	VERSTELLUNGHEBEL
266	81007328/ 0	2	RUOTA Ø 210	WHEEL Ø 210	ROUE Ø 210	RAD Ø 210
267	22110265/ 0	2	COPRIMOZZO	HUB CAP	COUVRE-MOYEU	RADKAPPE
—	22110265/ 0	2	BIANCO	WHITE	BLANC	WEIßE
—	22110266/ 0	2	GIALLO	YELLOW	JAUNE	GELBE
—	22110267/ 0	2	ROSSO	RED	ROUGE	RÖTE

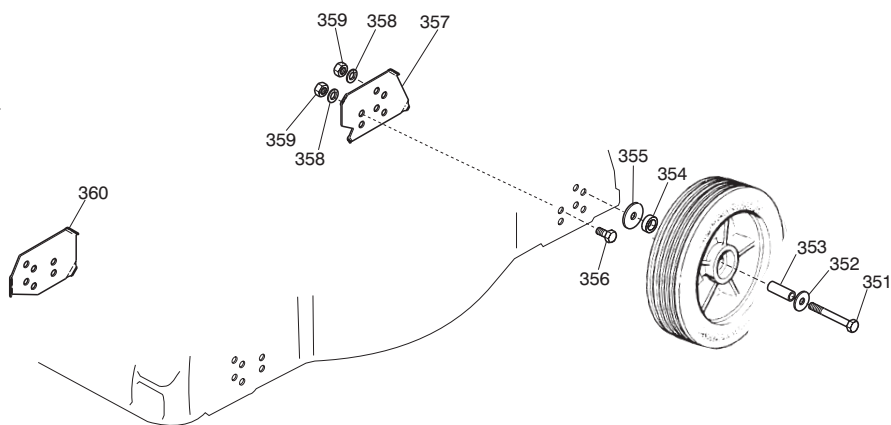
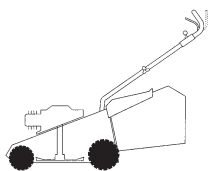
VARIANTI RUOTE Ø 170 SU BOCCOLE	WHEELS Ø 170 VARIANTS ON BUSHES	VARIANTES ROUES Ø 170 SUR DOUILLES	ÄNDERUNGEN AUF RÄDER Ø 170 MIT BÜCHSEN
---------------------------------	---------------------------------	------------------------------------	----------------------------------------

T-3614/ G

301	22110262/ 0	4	COPRIMOZZO	HUB CAP	COUVRE-MOYEU	RADKAPPE
—	22110262/ 0	4	BIANCO	WHITE	BLANC	WEIßE
—	22110263/ 0	4	GIALLO	YELLOW	JAUNE	GELBE
—	22110264/ 0	4	ROSSO	RED	ROUGE	RÖTE
302	12155000/ 0	4	DADO	NUT	ECROU	MUTTER
303	12523060/ 0	4	RONDELLA	WASHER	RONDELLE	SCHEIBE
304	22034508/ 0	8	BOCCOLA	BUSH	DOUILLE	BÜCHSE
305	81007326/ 0	4	RUOTA Ø 170	WHEEL Ø 170	ROUE Ø 170	RAD Ø 170

Pos. Nr.	Codice Code Kodex	Q.tà Q.ty-Q.tè Menge	Descrizione	Description	Description	Beschreibung
----------	-------------------	----------------------	-------------	-------------	-------------	--------------

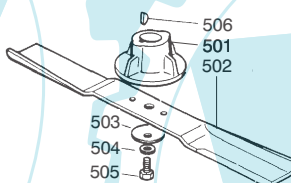
- VARIANTE REGOLAZIONE RUOTE
- WHEEL ADJUSTMENT VARIANT
- VARIANTE REGLAGE ROUES
- RADEINSTELLVARIANTE



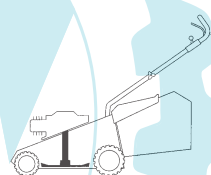
D-3614/H

T-3614/H	351	12691900/0	4	VITE	SCREW	VIS	SCHRAUBE
	352	12523060/0	4	RONDELLA	WASHER	RONDELLE	SCHEIBE
	351	12691900/0	4	VITE	SCREW	VIS	SCHRAUBE
	352	12523060/0	4	RONDELLA	WASHER	RONDELLE	SCHEIBE
	353	22869650/0	4	TUBO PER RUOTA	WHEEL TUBE	TUBE POUR ROUE	ROHR FÜR RAD
	354	22172420/0	4	DISTANZIALE	SPACER	ENTRETOISE	DISTANZRING
	355	12523070/0	4	RONDELLA	WASHER	RONDELLE	SCHEIBE
	356	12792611/0	4	VITE	SCREW	VIS	SCHRAUBE
	357	22551513/0	2	PIASTRA POSTERIORE	BACK PLATE	PLAQUE POSTÉRIEURE	HINTERPLATTE
	358	12583500/0	8	GROWER	GROWER	GROWER	GROWER
	359	12293200/0	8	DADO	NUT	ECROU	MUTTER
360	22551511/0	2	PIASTRA ANTERIORE	FRONT PLATE	PLAQUE ANTÉRIEURE	VORDERPLATTE	

- GRUPPO COLTELLO
- BLADE ASS.Y
- GROUPE LAME
- MESSERSATZ

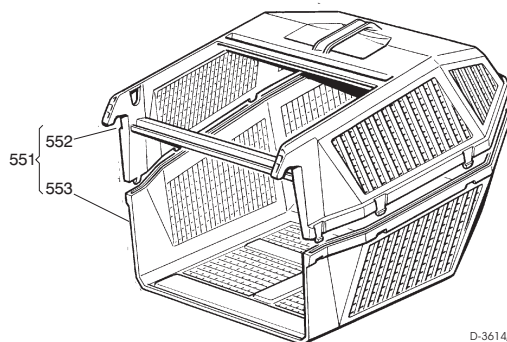
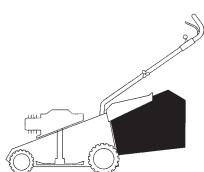


D-3615/M

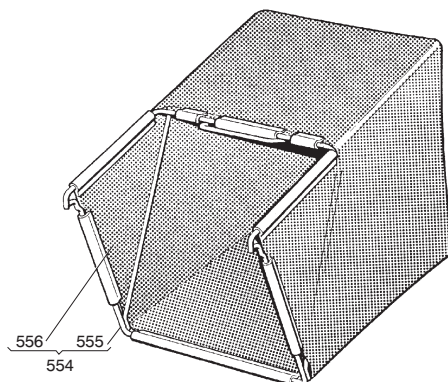


T-3615/M	501	22463012/1	1	MOZZO	HUB	MOYEU	HALTER
	502			COLTELLO	BLADE	LAME	MESSER
	502	81004341/2	1	STANDARD. 41 cm. R 434	STANDARD 41 cm. R 434	STANDARD 41 cm. R 434	STAND. 41 cm. R 434
	—	81004396/0	1	ALETTATO. 41 cm. R 434	WINGED 41 cm. R 434	AILETTÉE 41 cm. R 434	FLÜGEL 41 cm. R 434
	—	81004346/2	1	STANDARD. 46 cm. R 484	STANDARD 46 cm. R 484	LAME STANDARD 46 cm. R 484	484STAND. 46 cm. R 484
	—	81004397/0	1	ALETTATO. 46 cm. R 484	WINGED 46 cm. R 484	AILETTÉE 46 cm. R 484	FLÜGEL 46 cm. R 484
	—	81004381/0	1	STANDARD.51 cm. R 534	WINGED 51 cm. R 534	AILETTÉE 51 cm. R 534	FLÜGEL 51 cm. R 534
	—	81004398/0	1	ALETTATO. 51 cm. R 534	WINGED51 cm. R 534	AILETTÉE 51 cm. R 534	FLÜGEL 51 cm. R 534
	503	22160400/0	1	DISCO ELASTICO	ELASTIC WASHER	RONDELLE ELASTIQUE	ELASTISCHE SCHEIBE
	504	12523080/0	1	RONDELLA	WASHER	RONDELLE	SCHEIBE
	505	12735698/0	1	VITE	SCREW	VIS	SCHRAUBE
506	12139100/0	1	LINGUETTA	FEATHER	CLAVETTE	KEIL	

- SACCO RACCOGLIERBA
- GRASS-CATCHER
- BAC DE RAMASSAGE
- GRASFANGKORB



D-3614/N



T-3614/N	551	98005000/1	1	SACCO COMPLETO	COMPLETE GRASS-BOX	SAC COMPLET	KOMPLETTER KORB
	552	22486076/0	1	PARTE SUP. SACCO	UPPER GRASS BOX	PARTIE SUP. SAC	OBERSKORB
	553	22486077/0	1	PARTE INF. SACCO	LOWER GRASS BOX	PARTIE INF. SAC	UNTERS KORB
	554	98004000/0	1	ASS. SACCO IN TELA	CANVASS GRASSCATCHER	ENSEMBLE SAC EN TOILE	KOMPLETTER SACK
	555	81006408/0	1	TELAIO	CHASSIS	CHÂSSIS	RAHMEN.
	556	81002105/2	1	TELA SACCO	FABRIC BOX	TOILE POUR SAC	TUCK FÜR SACK